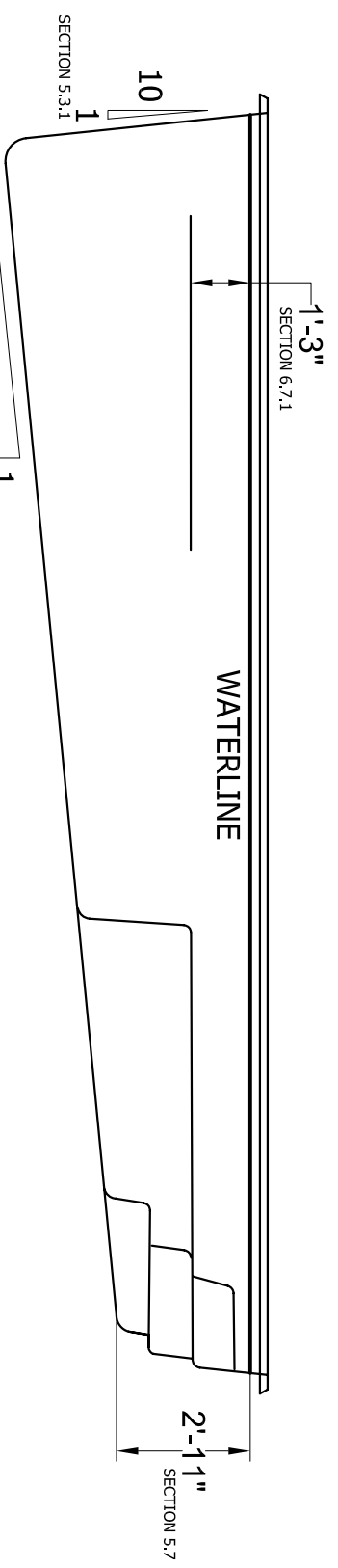


451 SQ IN TREAD SURFACE AREA

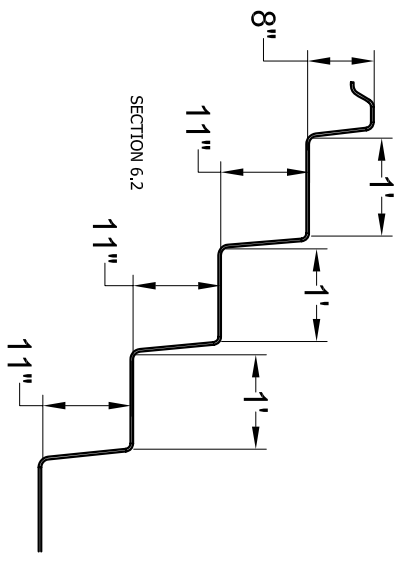
SECTION 6.2.1

PLAN VIEW
SCALE 1/4" = 1'-0"



WATERLINE

ELEVATION
SCALE 1/4" = 1'-0"



STEP SECTION A-A
SCALE 1/2" = 1'-0"

AREA: 324 SQ. FT.
PERIMETER: 73 FT.
VOLUME: 10000 GAL.

AS PER SECTION 8.1, ALL SURFACES WITHIN THE POOL INTENDED TO PROVIDE FOOTING FOR BATHERS HAVE SLIP RESISTING SURFACES

RIO 378 NSPI-5	
SCALE AS NOTED	DATE 05-31-08
DRAWN BY KLB	REVISION 01