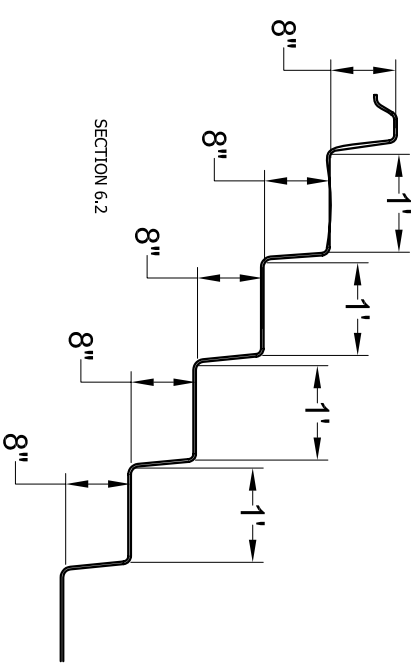


PLAN VIEW
SCALE 1/4" = 1'-0"



STEP SECTION A-A
SCALE 1/2" = 1'-0"



ELEVATION
SCALE 1/4" = 1'-0"

AREA: 302 SQ.FT
PERIMETER: 70 FT
VOLUME: 9500 GAL

AS PER SECTION 8.1, ALL SURFACES WITHIN THE POOL INTENDED TO PROVIDE FOOTING FOR BATHERS HAVE SLIP RESISTING SURFACES

| | |
|---------------------------------|---------------|
| POMPANO BEACH 375 NSPI-5 | |
| SCALE AS NOTED | DATE 05-31-08 |
| DRAWN BY KLB | REVISION 01 |