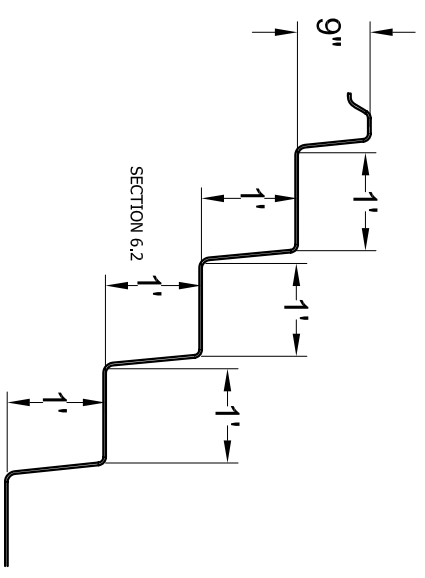
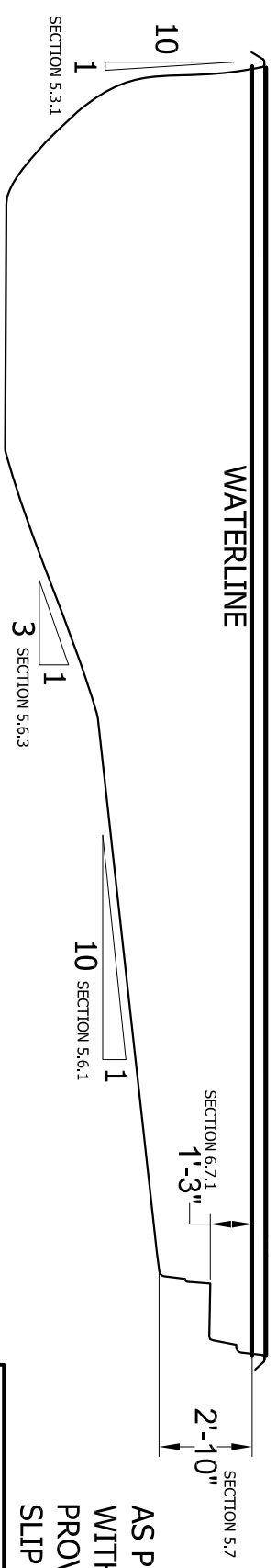


**PLAN VIEW**  
SCALE 3/16" = 1'-0"



**STEP SECTION A-A**  
SCALE 1/2" = 1'-0"



**ELEVATION**  
SCALE 3/16" = 1'-0"

AS PER SECTION 8.1, ALL SURFACES WITHIN THE POOL INTENDED TO PROVIDE FOOTING FOR BATHERS HAVE SLIP RESISTING SURFACES

AREA: 559 SQ. FT  
PERIMETER: 101 FT  
VOLUME: 20500 GAL

<b>PACIFIC 575 NSPI-5</b>	
SCALE AS NOTED	DATE 05-31-08
DRAWN BY KLB	REVISION 01