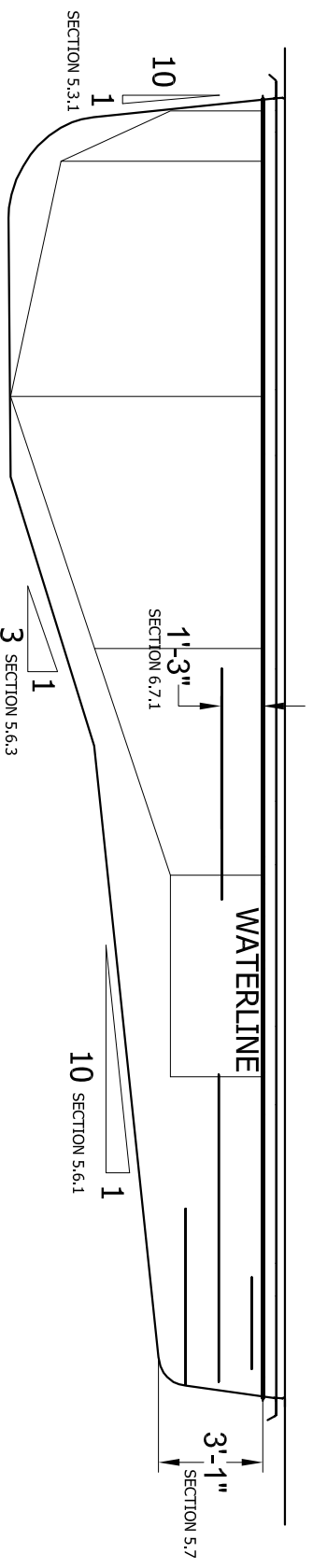


PLAN VIEW

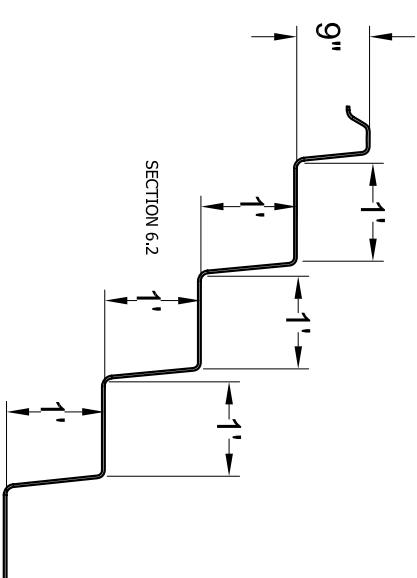
SCALE 3/16" = 1'-0"



ELEVATION

SCALE 3/16" = 1'-0"

AREA: 496 SQ. FT.
PERIMETER: 95 FT
VOLUME: 17950 GAL



STEP SECTION A-A

SCALE 1/2" = 1'-0"

AS PER SECTION 8.1, ALL SURFACES WITHIN THE POOL INTENDED TO PROVIDE FOOTING FOR BATHERS HAVE SLIP RESISTING SURFACES

OASIS 550 NSPI-5

SCALE AS NOTED	DATE 05-31-08
DRAWN BY KLB	REVISION 01