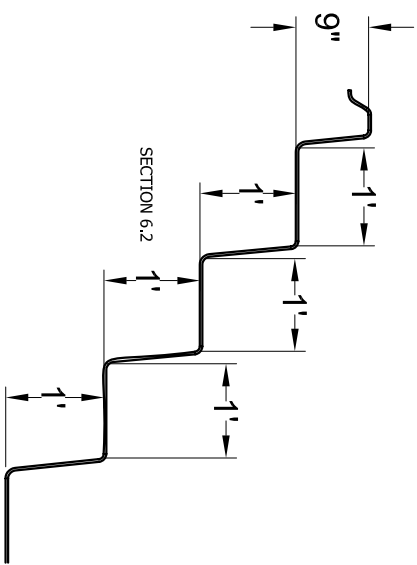


321 SQ IN TREAD SURFACE AREA TYPICAL OF 2
SECTION 6.2.1

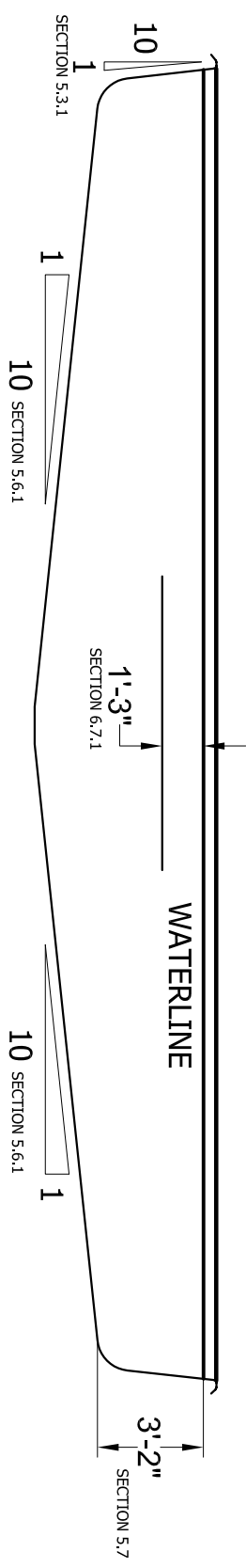
PLAN VIEW

SCALE 3/16" = 1'-0"



STEP SECTION A-A

SCALE 1/2" = 1'-0"



ELEVATION

SCALE 3/16" = 1'-0"

AS PER SECTION 8.1, ALL SURFACES WITHIN THE POOL INTENDED TO PROVIDE FOOTING FOR BATHERS HAVE SLIP RESISTING SURFACES

AREA: 466 SQ.FT
PERIMETER: 95 FT
VOLUME: 14050 GAL

MIRAGE 530 NSPI-5	
SCALE AS NOTED	DATE 05-31-08
DRAWN BY KLB	REVISION 01