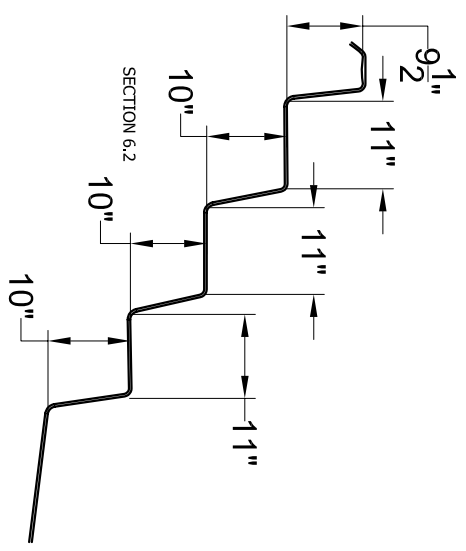
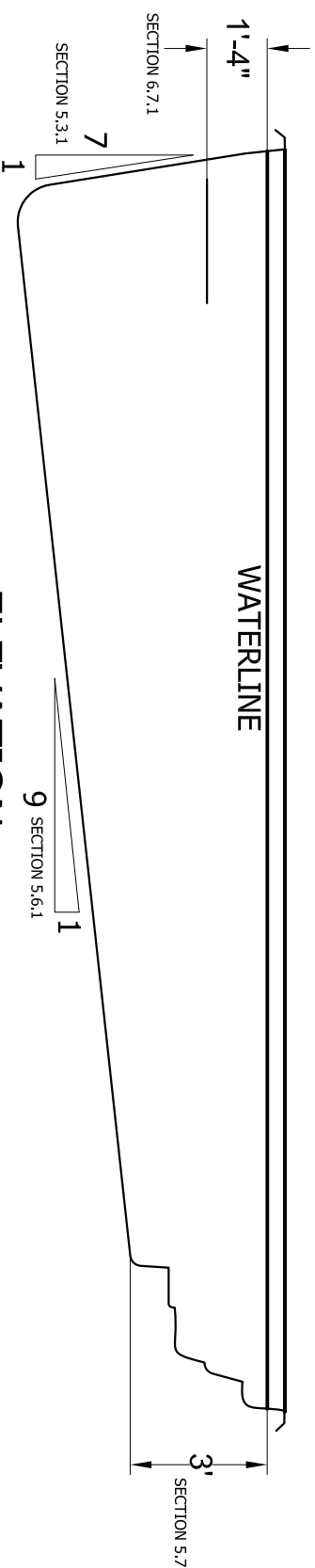


PLAN VIEW
SCALE 1/4" = 1'-0"

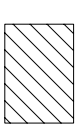


STEP SECTION A-A
SCALE 1/2" = 1'-0"



ELEVATION
SCALE 1/4" = 1'-0"

AREA: 295 SQ.FT
PERIMETER: 72 FT
VOLUME: 10000 GAL



NON-SKID (SECTION 8.1)

| | |
|----------------------------|---------------|
| HAWAIIAN 870 NSPI-5 | |
| SCALE AS NOTED | DATE 05-30-08 |
| DRAWN BY KLB | REVISION 01 |