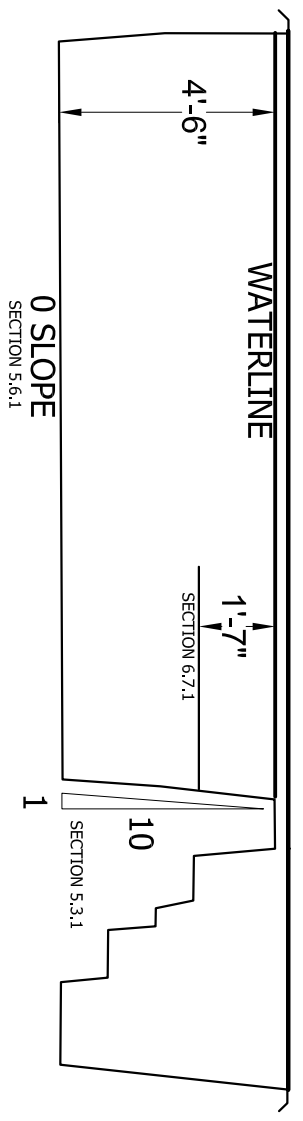
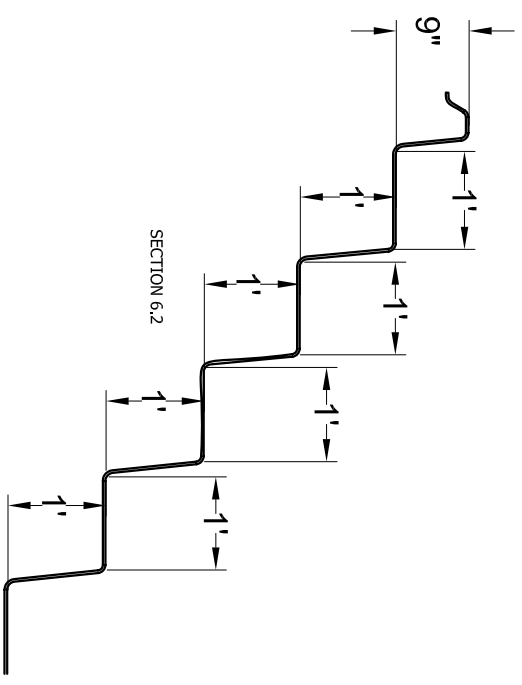


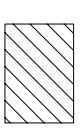
PLAN VIEW
SCALE 1/4" = 1'-0"



ELEVATION
SCALE 1/4" = 1'-0"



STEP SECTION A-A
SCALE 1/2" = 1'-0"



NON-SKID (SECTION 8.1)

AREA: 159 SQ.FT
PERIMETER: 70 FT
VOLUME: 4240 GAL

| | |
|-----------------------------|---------------|
| CYBERLANE 750 NSPI-5 | |
| SCALE AS NOTED | DATE 05-29-08 |
| DRAWN BY KLB | REVISION 01 |