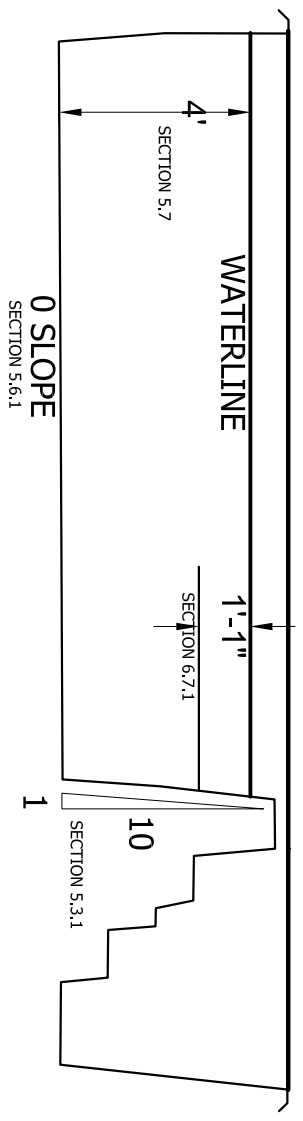
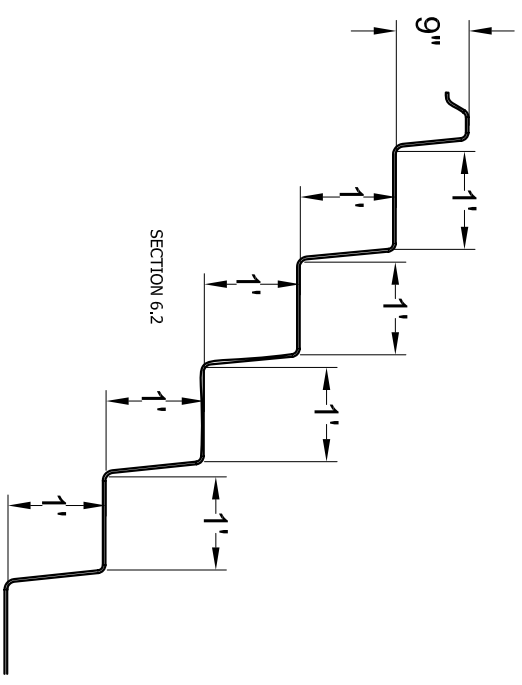


PLAN VIEW
 SCALE 1/4" = 1'-0"

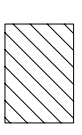


ELEVATION
 SCALE 1/4" = 1'-0"



STEP SECTION A-A
 SCALE 1/2" = 1'-0"

AREA: 159 SQ.FT
 PERIMETER: 70 FT
 VOLUME: 4240 GAL



NON-SKID (SECTION 8.1)

CYBERLANE 750 NSPI-5	
SCALE AS NOTED	DATE 05-29-08
DRAWN BY KLB	REVISION 01