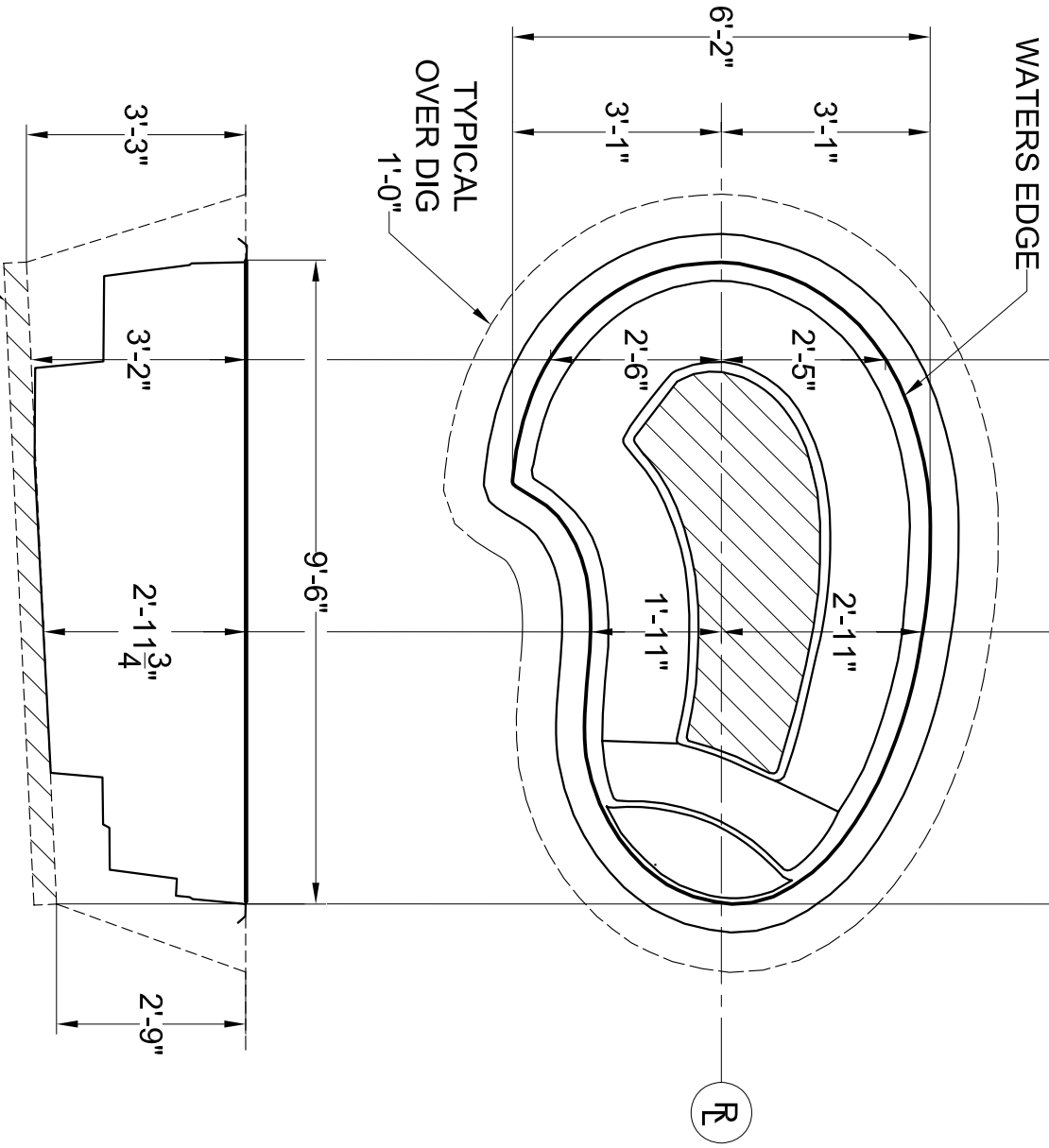




4" SAND BED



8

4

0

R

WEIGHT: 320 LBS  
 AREA: 44 SQ FT  
 PERIMETER: 25 FT  
 VOLUME: 700 GAL

# ROYALE 10K - DIG PLAN

SCALE 3/8" = 1'-0"

DATE 11-16-05

DRAWN BY KLB

REVISION 01

ALL MEASUREMENTS AND QUANTITIES ARE BASED ON AVERAGES

ALL MEASUREMENTS TO WATERS EDGE - ADD PREFERRED OVERDIG