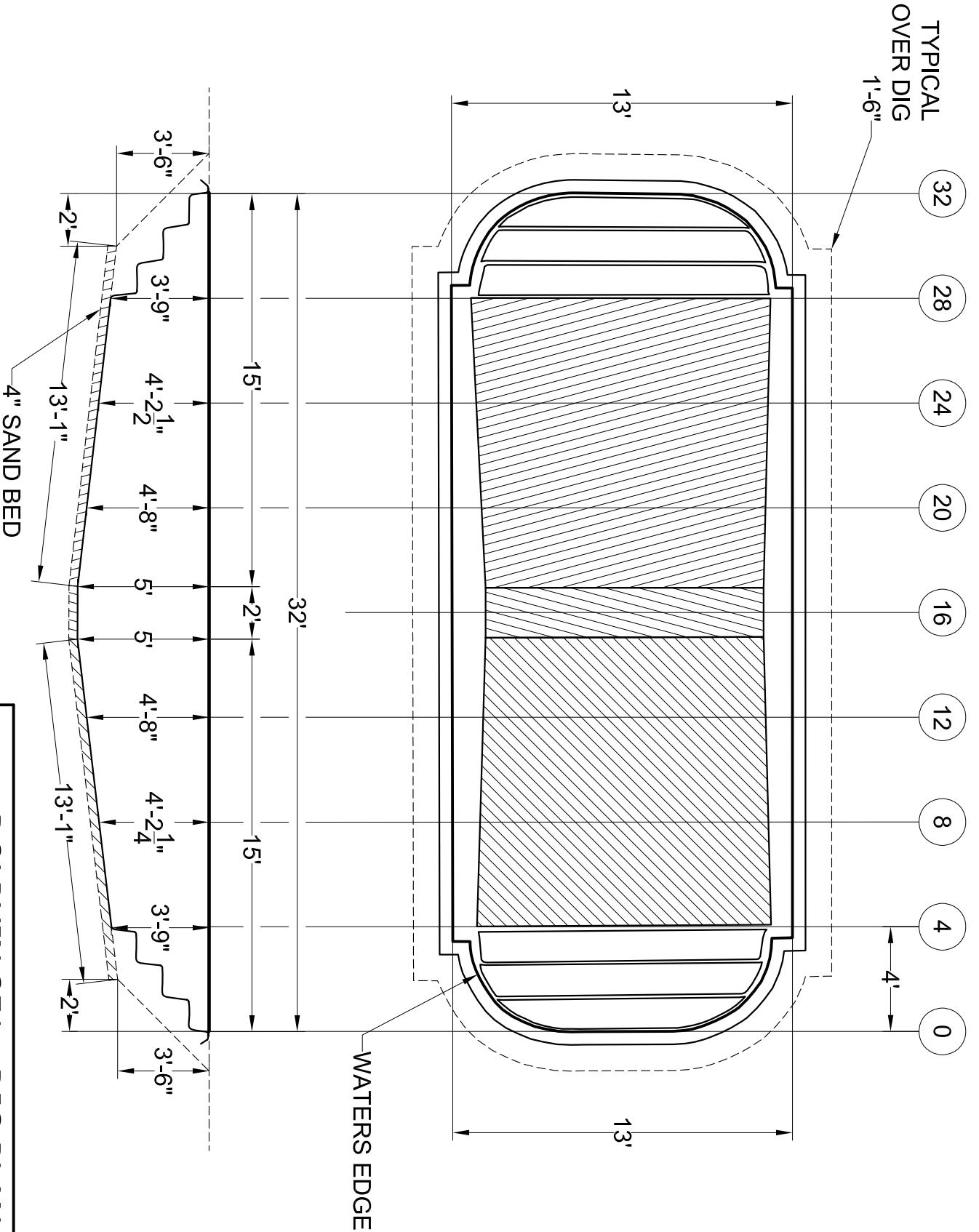


ALL MEASUREMENTS TO WATERS EDGE - ADD PREFERRED OVERDIG



WEIGHT: 1600 LBS
 AREA: 362 SQ FT
 PERIMETER: 83 FT
 VOLUME: 11500 GAL

DOLPHIN 351 - DIG PLAN

SCALE 3/16" = 1'-0"

DATE 04-12-06

DRAWN BY KLB

REVISION 02

ALL MEASUREMENTS AND QUANTITIES ARE BASED ON AVERAGES